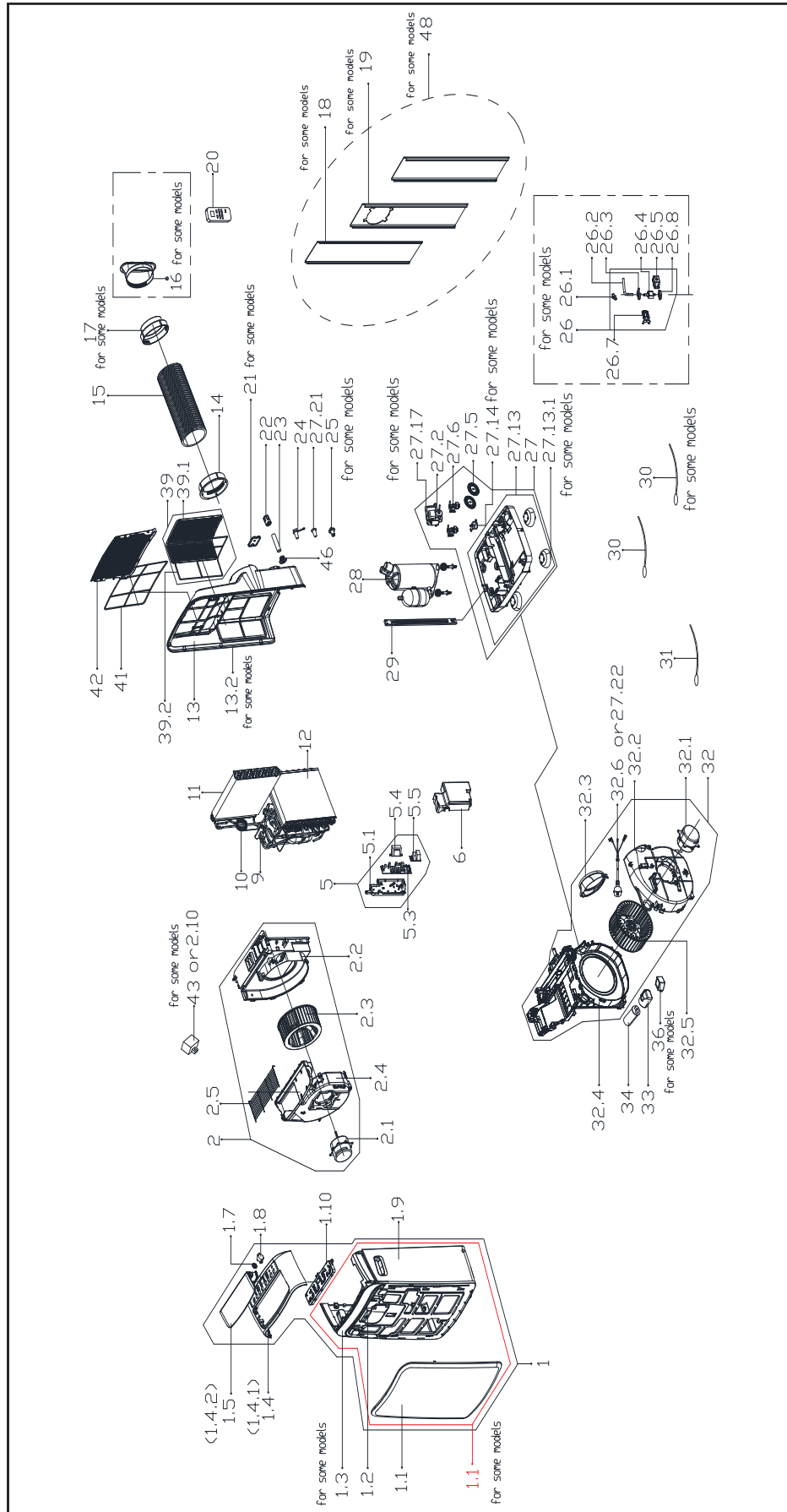

Comfort-Aire®

PARTS LIST

Portable Air Conditioner PSH-141D



EXPLODED VIEW



REPLACEMENT PARTS

Location	Part Name	Quantity	Part No.
1	Front panel assembly	1	12120600A24697
1.1	Front panel	1.0	12120600001078
1.2	Signal receiving board subassembly	1.0	17120600000020
1.3	Adorn board	1.0	12120600000759
1.4	Upper panel subassembly	1.0	12120600004383
1.4.1	Upper panel	1.0	12120600001249
1.4.2	Horizontal louver	1.0	12120600000009
1.7	Gear wheel	1.0	12120600000004
1.8	Stepper motor	1.0	11002010000176
1.9	middle panel subassembly	1.0	12120600002939
1.10	Display board subassembly	1.0	17220600A05511
2	Cover of Air exhaust volute shell assembly	1	12120600005763
2.1	Single phase asynchronous motor	1.0	11002012032755
2.2	Air outlet volute shell	1.0	12120600000898
2.3	Centrifugal Fan	1.0	12100103000099
2.4	Cover for Air outlet volute shell	1.0	12120600005843
2.5	Outdoor air inlet grille	1.0	12220600001002
5	Electronic control box subassembly	1	17220600001884
5.1	Electronic control box subassembly	1.0	12120600005863
5.3	Main control board subassembly	1.0	17120600002275
5.4	Linear Transformer	1.0	11203103000067
5.5	Capacitor auxiliary board subassembly	1.0	17122000048220
6	E-Box Cover	1	12120600004045
9	4-way valve assembly	1	15420600000451
10	Capillary assembly	1	15120600002657
11	Evaporator assembly	1	15820600000897
12	Condenser assembly	1	15820600001057
13	Rear Panel assembly	1	12120600000540
13.2	Rear panel	1.0	12120600004725
14	Connector, air exhaust duct	1	12120600003049
15	Exhaust hose subassembly	1	12120600A12675
17	Connector, air exhaust duct	1	12120600A12674
18	Window sealing board	1	12120600004203
19	Window sealing board	1	12120600004204
20	Remote controller	1	17317000A52927
22	Cover of Drain connector(outdoor)	1	12120600001499
23	Drain pipe	1	12100509000040
24	Drain Stopper	2	12600801000036
25	Drain connection	1	12100510000005
26	Motor subassembly	1	17400802000233
26.1	Drain connection	1.0	12100510000013
26.2	Rubber tube	1.0	12620600000011
26.3	Waterproof rubber ring	1.0	12600701000010

REPLACEMENT PARTS (CONTINUED)

Location	Part Name	Quantity	Part No.
26.4	Water pump	1.0	17400802000014
26.5	Bracket	1.0	12220600000465
26.7	Supporter of fan motor	1.0	12220600000464
26.8	Waterproof rubber ring	1.0	12600701000008
27	Chassis assembly	1	12120600005631
27.2	Shaded-pole motor	1.0	11002017000545
27.5	Water wheel	1.0	12120600000251
27.6	Water Level Switch	1.0	17400511000604
27.6	Water Level Switch	1.0	17400511000164
27.13	Chassis subassembly	1.0	12120600005629
27.13.1	Universal wheel	4.0	12620600000019
27.21	Drain stopper	1.0	12600801000048
27.22	Power cord subassembly of LCDI	1.0	17401202006809
28	Fixed speed rotary compressor	1	11103010017215
29	Supporting bar	1	12220600000082
30	Pipe temperature sensor	1	11201007003442
30	Pipe Temperature Sensor	1	11201007003444
31	Room temperature sensor	1	11201007003425
32	Middle partition board assembly	1	12120600005626
32.1	Single phase asynchronous motor	1.0	11002012034953
32.2	Cover of Air exhaust volute shell(outdoor)	1.0	12120600005628
32.3	Exhaust fixed joint component subassembly	1.0	12120600005627
32.4	Partition board subassembly	1.0	12120600005625
32.5	centrifuge fan	1.0	12100103A00062
33	Capacitor box	1	12100601000126
34	Capacitor of compressor	1	17400103000090
36	Capacitor of fan motor	1	17400101A00464
39	Outside inlet air frame unit assembly	1	12120600000563
39.1	Outside inlet air frame unit	1.0	12120600000583
39.2	Down filter	1.0	12120600000721
41	inside filte	1	12100204000257
42	Indoor air inlet grille	1	12120600000611
46	Drain connection	2	12120600001495

Due to ongoing product improvements, specifications and dimensions are subject to change and correction without notice or incurring obligations. Determining the application and suitability for use of any product is the responsibility of the installer. Additionally, the installer is responsible for verifying dimensional data on the actual product prior to beginning any installation preparations.

Incentive and rebate programs have precise requirements as to product performance and certification. All products meet applicable regulations in effect on date of manufacture; however, certifications are not necessarily granted for the life of a product. Therefore, it is the responsibility of the applicant to determine whether a specific model qualifies for these incentive/rebate programs.



1900 Wellworth Ave., Jackson, MI 49203 • Ph. 517-787-2100 • www.marsdelivers.com

